

Specifications Class D to BS5728 and ISO4064

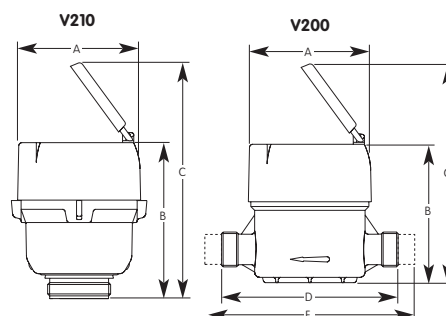
Class D							
Meter code			V200	V200	V210	V210	V210
Meter thread size	in		G¾"A	G1"A	G1½"A	G1½"A	G2"A
Overload flow rate	qs±2%	m³/h	3	5	3	5	7
Permanent flow rate	qp±2%	m³/h	1.5	2.5	1.5	2.5	3.5
Transitional flow rate	qt±2%	l/h	11.5	28.75	11.5	28.75	40.25
Minimum flow rate	qmin±5%	l/h	7.5	18.75	7.5	18.75	26.25
Starting flow (approximately)		l/h	2	2	2	2	3
All models	Headloss at qs less than 1 bar. Headloss at qp less than 0.25 bar. Maximum water temperature 50°C. Maximum working pressure 16 bar. Maximum registration 99.999.99m³.						

Specifications Class C to BS5728 and ISO4064

Class C							
Meter code			V200	V200	V210	V210	V210
Meter thread size	in		G¾"A	G1"A	G1½"A	G1½"A	G2"A
Overload flow rate	qs±2%	m³/h	3	5	3	5	7
Permanent flow rate	qp±2%	m³/h	1.5	2.5	1.5	2.5	3.5
Transitional flow rate	qt±2%	l/h	22.5	37.5	22.5	37.5	52.5
Minimum flow rate	qmin±5%	l/h	15	25	15	25	35
Starting flow (approximately)		l/h	2	2	2	2	3
All models	Headloss at qs less than 1 bar. Headloss at qp less than 0.25 bar. Maximum water temperature 50°C. Maximum working pressure 16 bar. Maximum registration 99.999.99m³.						

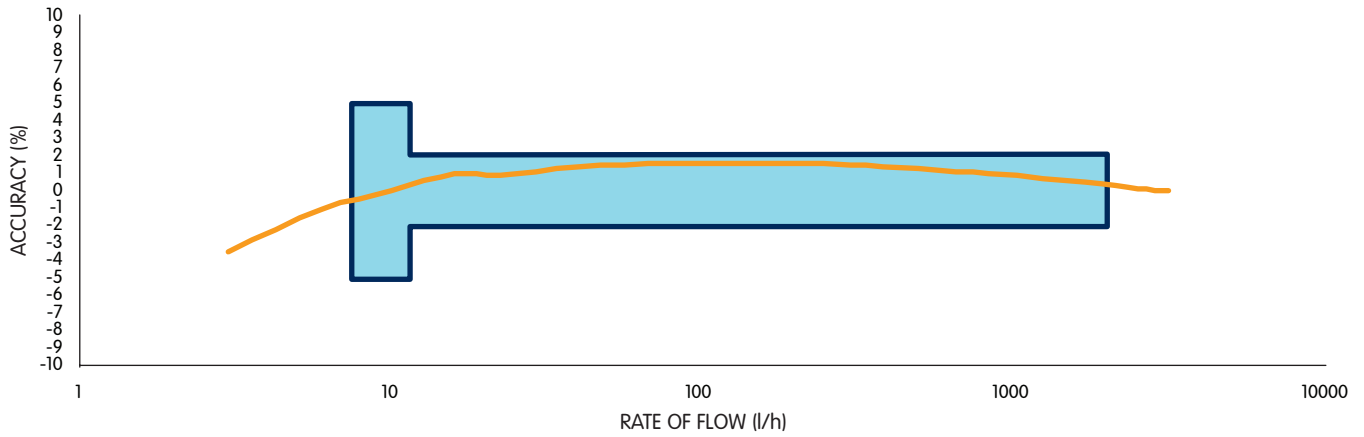
Meter Description		V200	V200	V210	V210	V210
		Qp1.0 & 1.5	Qp2.5	Qp1.0 & 1.5	Qp2.5	Qp3.5
Meter diameter (A)	mm	94	94	94	94	130.5
Height of meter (B)	mm	113	111	126	136	142
Height of meter – (lid open) (C)	mm	180	177	193	203	209
Meter lengths (D)	mm	110, 115, 134, 165	165, 190	N/A	N/A	N/A
Height of meter with Encoder	mm	127	125	140	150	156
Length over connections (E)	mm	195, 200, 228, 250	263, 288	N/A	N/A	N/A
Weight (approximately)	kg	0.95	1.2, 1.26	0.92	1.04	1.85
Height with bi-directional pulser = B + 10mm						

Register Options		
Meter Description	Inductive	Encoder
V210 (N1, N1.5, N2.5)	1 Pulse/Litre	Full reading in m³
V200 (N1, N1.5, N2.5)	1 Pulse/Litre	Full reading in m³
V210 (N3.5)	1 Pulse/Litre	Full reading in m³



Accuracy Curve shown overleaf.

Typical Accuracy Curve



Pressure equipment directive 97/23/EC.

This product is applicable in networks for the supply, distribution and discharge of water and associated equipment and is therefore exempt.